



GAI-TRONICS®  
A HUBBELL COMPANY

# Receiver/Amplifier Replacement Kit

MODEL 12550-102

## Confidentiality Notice

This manual is provided solely as an operational, installation, and maintenance guide and contains sensitive business and technical information which is confidential and proprietary to GAI-Tronics. GAI-Tronics retains all intellectual property and other rights in or to the information contained herein, and such information may only be used in connection with the operation of your GAI-Tronics product or system. This manual may not be disclosed in any form, in whole or in part, directly or indirectly, to any third party.

## General Information

This kit is used on the following model stations:

- 10450-003    • 10450-102    • 472-001    • 473-001    • 476-001    • 477-001    • 478-002
- 10450-101    • 10450-202    • 472-002    • 473-002    • 476-002    • 477-002

The Model 12550-102 kit includes the following components:

<u>Qty</u>	<u>Description</u>
1	Handset SMT PCBA
1	Headset receiver
2	Screw
2	Brass eyelet

## Installation

### Removing the Old Receiver

1. Unscrew the microphone cap, and remove the microphone assembly and nylon washer.
2. Loosen the two screws on the microphone assembly, and remove the three black wires and brown wire. Locate the splice connection of the two white wires. Remove the vinyl electrical tape from the splice, and remove the larger white wire (receiver wire) from the jumper clip. See Figure 1.

**NOTE:** On older stations, the brown wire is replaced by a green wire.

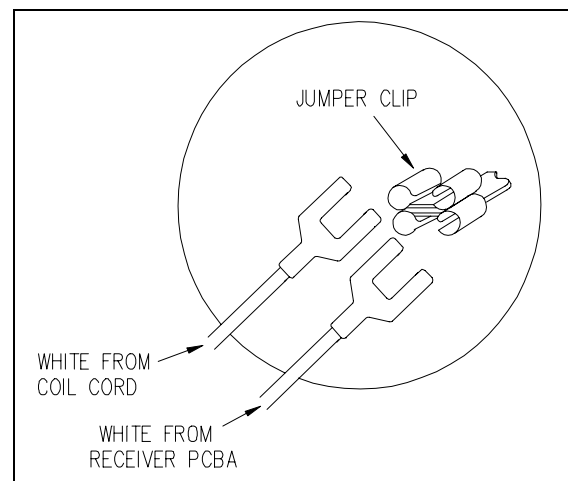


Figure 1. Jumper Clip Installation

3. Remove the two screws that secure the handset page switch to the handset. Carefully remove the page switch cover plate, actuator cover, return spring, actuator, and contact enclosure from the handset handle. See Figure 3.
4. Unscrew the receiver cap, and carefully remove the receiver/amplifier assembly.
5. Discard the old receiver and amplifier assembly.

### Installing the New Receiver and Amplifier PCBA

1. Place the new receiver element on a flat surface, and install the amplifier printed circuit board assembly (PCBA) on the receiver using the brass eyelets and screws provided as shown in Figure 2.

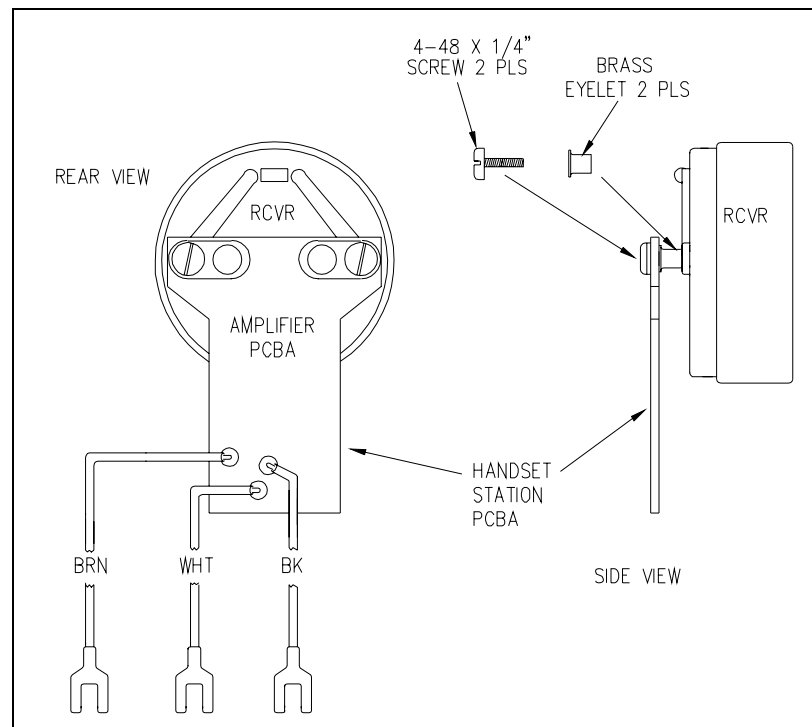


Figure 2. Receiver/Amplifier Installation Diagram

2. Carefully insert the wires from the amplifier PCBA into the handset handle (black and brown wires go to the microphone cavity, and the white wire goes to the page switch cutout midway on the handle).
3. Insert the amplifier PCBA into the receiver cavity of the handset handle until the receiver is properly seated in the handset.
4. Replace the receiver cap.
5. Insert the spade terminal from the receiver white wire into the jumper clip, along with the white wire from the coil cord. See Figure 1. Tape the jumper clip with vinyl electrical tape.

6. Install the page switch contact enclosure, actuator, return spring, actuator cover, and cover plate using the screws previously removed. See Figure 3.

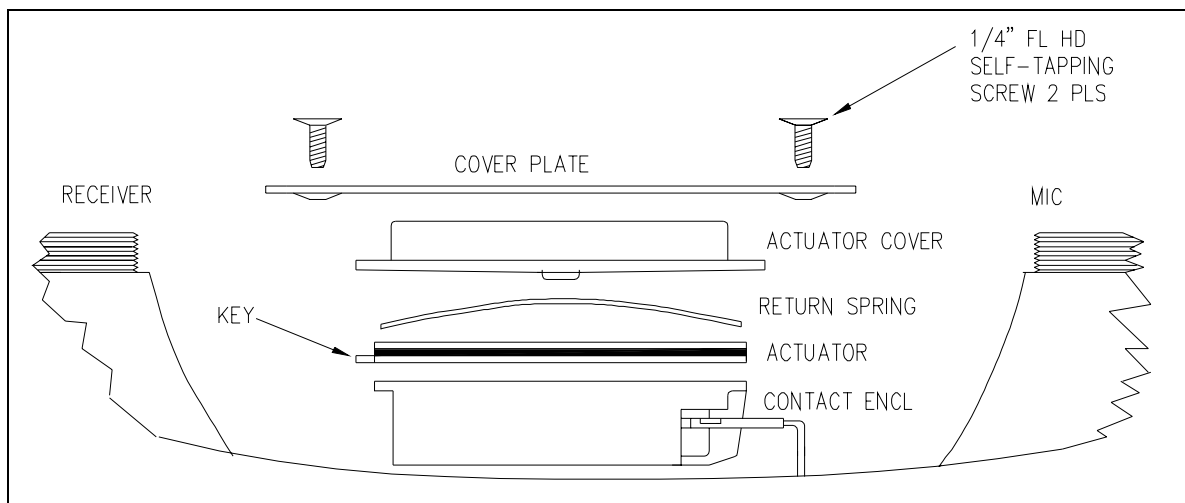


Figure 3. Pressbar Page Switch Detail Drawing

7. Connect the three black wires from the receiver PCBA, page switch, and coil cord to one terminal of the microphone and the brown wire from the receiver PCBA to the second terminal of the microphone. See Figure 4.
8. Carefully insert the tape splice into the microphone cavity, and push the wires toward the page switch. Install the coil cord strain relief on the microphone bracket as shown in Figure 4. Insert the microphone into the microphone cavity on the handset.
9. Install the nylon washer on the microphone. See Figure 4.
10. Replace the microphone cap.

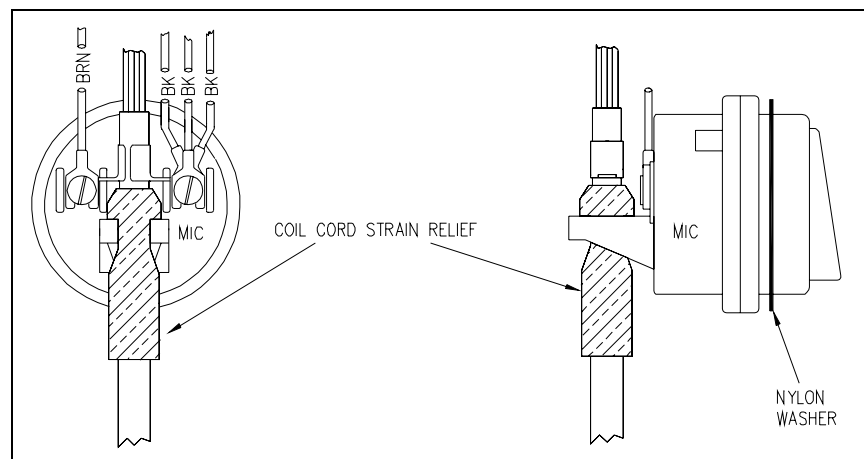


Figure 4. Microphone Installation Diagram

# Warranty

---

Equipment. GAI-Tronics warrants for a period of one (1) year from the date of shipment, that any GAI-Tronics equipment supplied hereunder shall be free of defects in material and workmanship, shall comply with the then-current product specifications and product literature, and if applicable, shall be fit for the purpose specified in the agreed-upon quotation or proposal document. If (a) Seller's goods prove to be defective in workmanship and/or material under normal and proper usage, or unfit for the purpose specified and agreed upon, and (b) Buyer's claim is made within the warranty period set forth above, Buyer may return such goods to GAI-Tronics' nearest depot repair facility, freight prepaid, at which time they will be repaired or replaced, at Seller's option, without charge to Buyer. Repair or replacement shall be Buyer's sole and exclusive remedy. The warranty period on any repaired or replacement equipment shall be the greater of the ninety (90) day repair warranty or one (1) year from the date the original equipment was shipped. In no event shall GAI-Tronics warranty obligations with respect to equipment exceed 100% of the total cost of the equipment supplied hereunder. Buyer may also be entitled to the manufacturer's warranty on any third-party goods supplied by GAI-Tronics hereunder. The applicability of any such third-party warranty will be determined by GAI-Tronics.

Services. Any services GAI-Tronics provides hereunder, whether directly or through subcontractors, shall be performed in accordance with the standard of care with which such services are normally provided in the industry. If the services fail to meet the applicable industry standard, GAI-Tronics will re-perform such services at no cost to buyer to correct said deficiency to Company's satisfaction provided any and all issues are identified prior to the demobilization of the Contractor's personnel from the work site. Re-performance of services shall be Buyer's sole and exclusive remedy, and in no event shall GAI-Tronics warranty obligations with respect to services exceed 100% of the total cost of the services provided hereunder.

Warranty Periods. Every claim by Buyer alleging a defect in the goods and/or services provided hereunder shall be deemed waived unless such claim is made in writing within the applicable warranty periods as set forth above. Provided, however, that if the defect complained of is latent and not discoverable within the above warranty periods, every claim arising on account of such latent defect shall be deemed waived unless it is made in writing within a reasonable time after such latent defect is or should have been discovered by Buyer.

Limitations / Exclusions. The warranties herein shall not apply to, and GAI-Tronics shall not be responsible for, any damage to the goods or failure of the services supplied hereunder, to the extent caused by Buyer's neglect, failure to follow operational and maintenance procedures provided with the equipment, or the use of technicians not specifically authorized by GAI-Tronics to maintain or service the equipment. **THE WARRANTIES AND REMEDIES CONTAINED HEREIN ARE IN LIEU OF AND EXCLUDE ALL OTHER WARRANTIES AND REMEDIES, WHETHER EXPRESS OR IMPLIED BY OPERATION OF LAW OR OTHERWISE, INCLUDING ANY WARRANTIES OF MERCHANTABILITY OR FITNESS FOR A PARTICULAR PURPOSE.**

## Return Policy

---

If the equipment requires service, contact your Regional Service Center for a return authorization number (RA#). Equipment should be shipped prepaid to GAI-Tronics with a return authorization number and a purchase order number. If the equipment is under warranty, repairs or a replacement will be made in accordance with the warranty policy set forth above. Please include a written explanation of all defects to assist our technicians in their troubleshooting efforts.

Call 800-492-1212 (inside the USA) or 610-777-1374 (outside the USA) for help identifying the Regional Service Center closest to you.